



## Peelers Vegetable Peeler, 15 kg - Abrasive Plate

ITEM # \_\_\_\_\_

MODEL # \_\_\_\_\_

NAME # \_\_\_\_\_

SIS # \_\_\_\_\_

AIA # \_\_\_\_\_



**603511 (DT15E1)**

15 kg vegetable peeler.  
Abrasive plate

**603512 (DT15E324)**

15 kg vegetable peeler.  
Abrasive plate

### Short Form Specification

Item No. \_\_\_\_\_

Constructed in stainless steel with a transparent lid in special high resistant plastic. The removable rotating plate is covered with a removable rotating plate covered in very resistant abrasive material (silicon carbide). Flat and waterproof (IP55) control panel with programmable timer and low voltage level. An interlocking safety magnetic devices will stop the machine from operating when the lid or unloading door is opened. Removable water jet device is fitted as standard to facilitate cleaning.

Supplied with abrasive plate.

### Main Features

- Transparent lid in damage-resistant plastic material allows visibility during peeling cycle.
- Supplied with:  
-abrasive plate
- Removable rotating plate covered in very resistant abrasive material (silicon carbide).
- Peels are reduced to small pieces to facilitate drainage process.
- Pulse function to control the unloading operation.
- Removable water inlet, clipped to the cover, designed to serve as a spray to clean the machine.
- Timer with countdown display.
- Magnetic detectors will stop the machine from operating when the lid and/or door are opened.
- Suitable for 80-300 meals per service.

### Construction

- Complete stainless steel construction.
- IP55 waterproof touch button control panel.
- Transparent BPA free cover incorporates a magnetic safety system which stops the machine if lid is not properly closed.

### Included Accessories

- 1 of Abrasive plate for T10 or PNC 653203 T15

### Optional Accessories

- Brushing plate for T10 or T15 PNC 653058   
(not for models with  
abrasive cylinder)
- Abrasive plate for small PNC 653184   
onions, shallots and garlic  
T10 or T15, 388 mm  
diam.(not for models with  
abrasive cylinder)
- Abrasive plate for T10 or T15 PNC 653203
- Knife plate for 10 and 15 kg PNC 653204   
vegetable peelers (not for  
models with abrasive  
cylinder)
- Abrasive plate for large PNC 653205   
onions T10 and T15 (not for  
models with abrasive  
cylinder)
- Drying basket for T15 PNC 653209

APPROVAL: \_\_\_\_\_



## Peelers Vegetable Peeler, 15 kg - Abrasive Plate

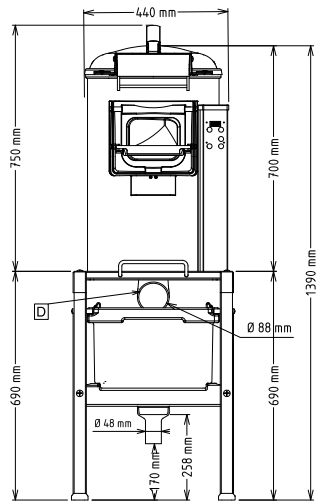
- Stainless steel seashell plate for PNC 653620   
10/15 kg vegetable peelers (not  
for models with abrasive  
cylinder)
- Filter table with sliding shelf, PNC 653783   
pre-assembled
- Filter table with sliding shelf PNC 653784



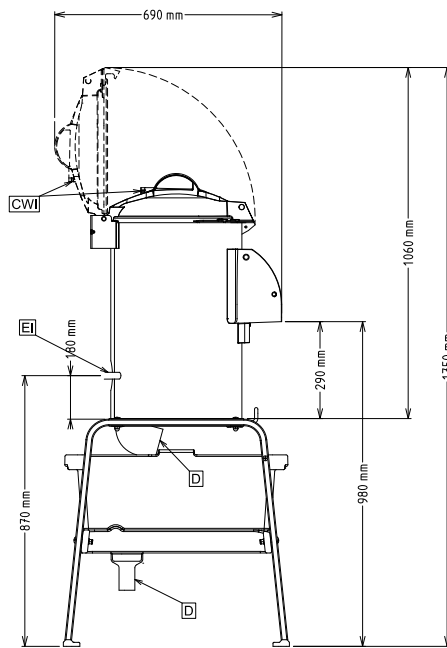
Peelers  
Vegetable Peeler, 15 kg - Abrasive Plate  
The company reserves the right to make modifications to the products  
without prior notice. All information correct at time of printing.

2024.03.14

Front



Side

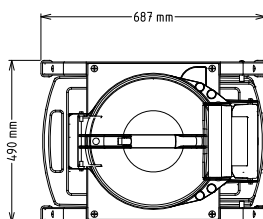


**CWI** = Cold Water inlet 1  
(cleaning)

**D** = Drain

**EI** = Electrical inlet  
(power)

Top



### Electric

#### Supply voltage:

**603511 (DT15E1)**

220-240 V/1N ph/50/60 Hz

200-240/380-440 V/3

**603512 (DT15E324)**

ph/50/60 Hz

#### Electrical power max.:

0.37 kW

#### Total Watts:

0.37 kW

### Capacity:

#### Performance (up to):

240 kg/hour

#### Capacity:

15 kg

### Key Information:

#### External dimensions,

##### Width:

440 mm

#### External dimensions,

##### Depth:

690 mm

#### External dimensions,

##### Height:

750 mm

#### Shipping weight:

**603511 (DT15E1)**

48 kg

**603512 (DT15E324)**

47 kg